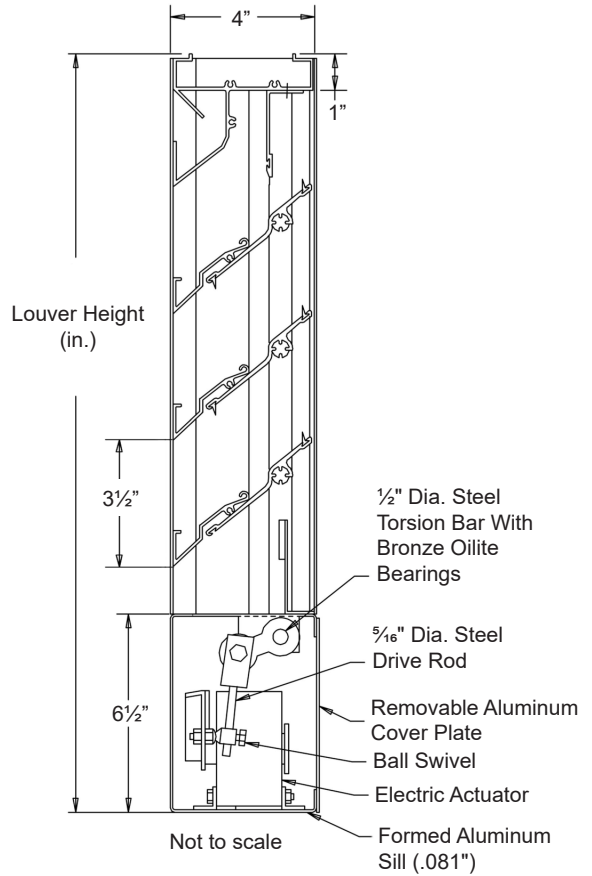


Extruded Aluminum Louver • 4" Deep • 35° Drainable Straight Blades • Combination Adjustable • Concealed Actuator

Standard Construction and Materials

- FRAME:** .081" thk. (nominal) extruded aluminum 6063-T52/T6 alloy.
- BLADES:** Stationary blades are made from .081" thk. (nominal) extruded aluminum 6063-T52/T6 alloy. Adjustable Blades are made from .125" thk. (nominal) extruded aluminum 6063-T52/T6 alloy. Blades approximately 3½" on centers.
- LOUVER FACE:** Full width sill with head and blades contained within jambs.
- LINKAGE:** Extruded aluminum, concealed in the channel out of the airstream. The pivots, which rotate in Celcon bearings, are .50" dia. plated and machined steel. The pivot is locked to the 5/16" dia. aluminum linkage rod by a ¼ - 20 set screw with epoxy locking patch.
- AXLES:** .50" dia. aluminum "Pin-Lock" extrusion.
- SEALS:** Extruded silicone rubber seals at blade edge. Foam on bottom blade. Stainless steel at jambs.
- SCREEN:** (When indicated, in a removable frame)
 ½" flattened aluminum, .051" thk.,
 -or- Insect screen 19/6 aluminum mesh, .011" dia.,
 -or- ½" sq. mesh intermediate double crimped aluminum wire, .063" dia.
- FINISH:** Mill
- ACTUATOR:** 120 VAC spring return normally closed.
 133 in-lbs. torque.



Options

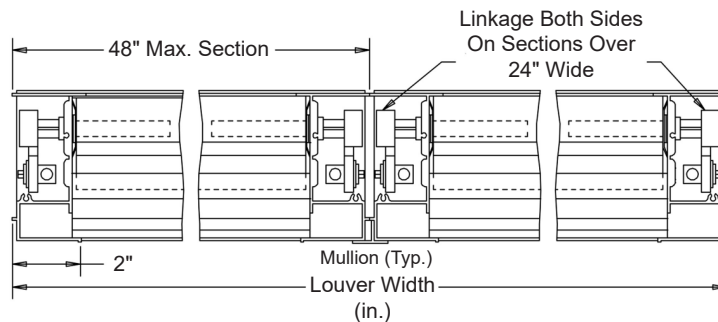
- Finishes - Enamels, Epoxies, etc.
- Other screens available.
- Actuators - Electric, Pneumatic, Manual, etc.

Notes

1. Nominal deductions will be made to the opening size given.
2. Approximate shipping weight is 5.5 lbs./sq.ft.

Louver Sizes

Min Panel	Max Single Panel
12"W x 16"H	48"W x 96"H



											
<u>Item #</u>	<u>Qty</u>	<u>Width</u>	<u>Height</u>	<u>Width</u>	<u>Height</u>	<u>Mullion</u>	<u>Type</u>	<u>Location</u>			
		<u>Opening Size</u>		<u>Louver Size</u>			<u>Screens</u>				
<u>Arch. / Eng.:</u>						<u>EDR:</u>		<u>ECN:</u>		<u>Job:</u>	
<u>Contractor:</u>											
<u>Project:</u>						<u>Date:</u>		<u>DWN:</u>		<u>DWG:</u>	

In the interest of product development, Cesco Products reserves the right to make changes without notice.



450 Riverside Dr • Wyalusing PA, 18853
 Phone: 570-746-1888 • Fax: 570-746-9286
 www.cescoproducts.com